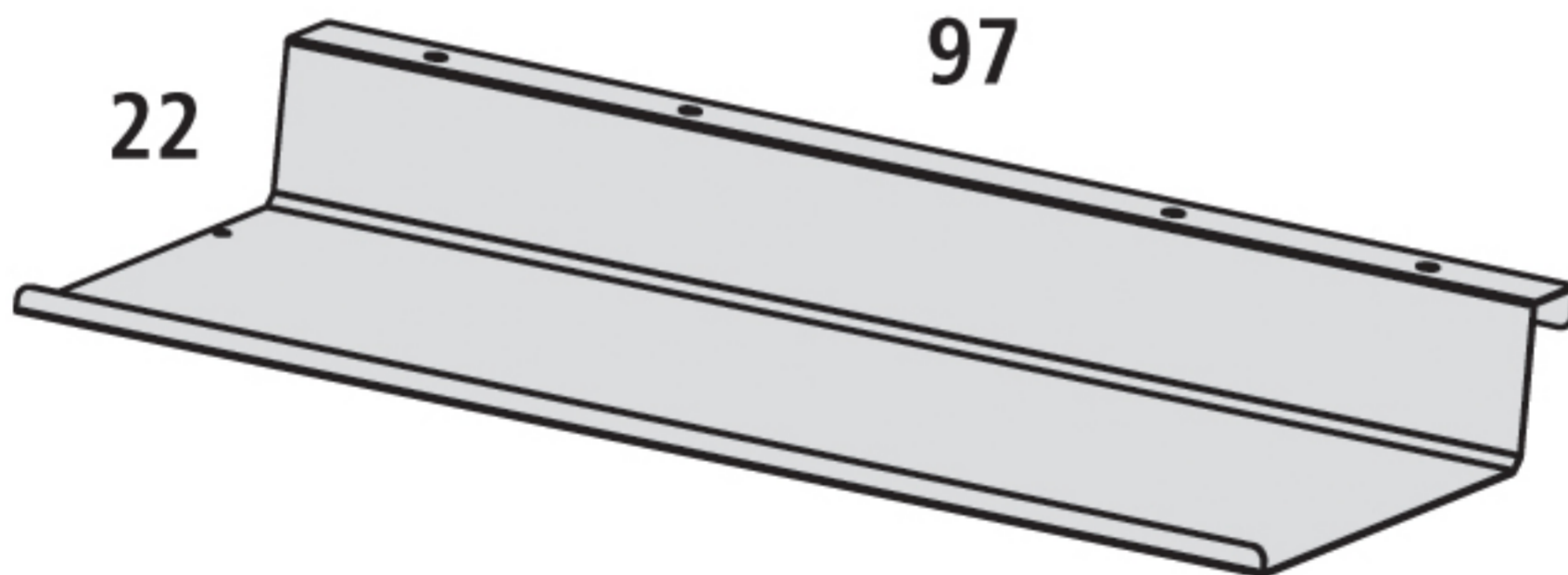


ref. 2921/W/Y/S⁽¹⁾



ref. 2922/W/Y/S⁽¹⁾